



SkY Villas Indoor Kitchen Appliances

BI-42UFD/O



FEATURES

Monitor and control remotely with Wi-Fi connectivity

Accepts custom panels for an integrated look within cabinetry or stainless-steel accessory panels and handles to match other Sub-Zero, Wolf, and Cove products

Preserves refrigerated foods with cool, moist air and frozen foods with frigid, dry air

Fight spoilage and odors with a NASA-inspired air purification system

Locks in cold air to ensure freshness with magnetic door seals

Keeps produce fresher with high-humidity, sealed crisper and deli drawers

Controls temperature within one degree of setpoint

Filters water and ice, removing contaminants, chlorine taste, and odor

Yields ice automatically and "max ice" for additional production

Ensures excellent visibility with bright halogen lights

Refer to freshness cards for tips on food preservation, use, and care

ACCESSORIES

42" Stainless Steel Kickplate

90° Door Stop

Air Purification Cartridge

Custom Front Panel Mounting Kit

Custom Side Panel Mounting Kit

Egg Container

Extended Framed Handle Kit

Framed Handle Kit

Framed Louvered Grille Insert

Framed Stainless Steel Front Panels

Framed White Front Panels

Pro Louvered Flush Inset Grille - 84"

Stainless Steel Flush Inset Door Panel with Pro Handle

Stainless Steel Flush Inset Door Panel with Tubular Handle

Stainless Steel Flush Inset Drawer Panel with Pro Handle

Stainless Steel Flush Inset Drawer Panel with Tubular Handle

Stainless Steel Flush Inset Grille Panel

Stainless Steel Side Panel

Water Filter

White Side Panel

Stainless Steel Pro Handles

Stainless Steel Tubular Handles

Built-In Louvered Grilles



HANDLE ACCESSORIES

PRO



TUBULAR



PRODUCT DETAILS

REFRIGERATOR

- 1 refrigerator storage drawers with adjustable dividers
- 1 high-humidity crisper drawer with adjustable dividers
- 2 adjustable dairy compartments
- 4 glass refrigerator shelves (3 adjustable; 1 stationary)
- 5 refrigerator door bins (3 adjustable; 2 stationary)
- LED refrigerator and freezer lights

FREEZER

- 1 full-extension roll-out freezer drawer
- Automatic ice maker with removable ice container

Built-In Overlay or Flush Inset Grille Frames

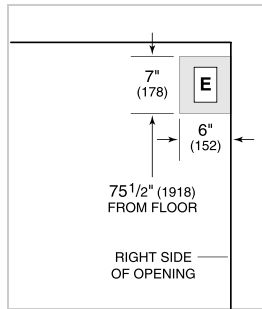
Accessories are available through an authorized dealer.
For local dealer information, visit subzero-wolf.com/locator.

Specifications are subject to change without notice. This information was generated on November 14, 2019. Verify specifications prior to finalizing your cabinetry/enclosures.

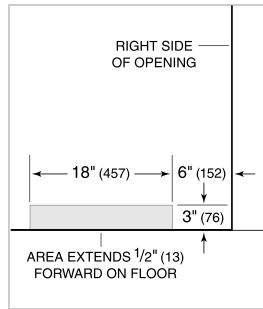
PRODUCT SPECIFICATIONS

Model	BI-42UFD/O
Dimensions	42"W x 84"H x 24"D
Door Clearance	22 1/4"
Drawer Clearance	23 5/8"
Weight	582 lbs
Refrigerator Capacity	17.9 cu. ft.
Freezer Capacity	6.3 cu. ft.
Electrical Supply	115 VAC, 60 Hz
Electrical Service	15 amp dedicated circuit
Receptacle	3-prong grounding-type

ELECTRICAL



PLUMBING



PANEL SPECIFICATIONS For complete panels specifications including width/height, weight requirements, thickness requirements and offset details visit subzero-wolf.com/builtinconfigurator.

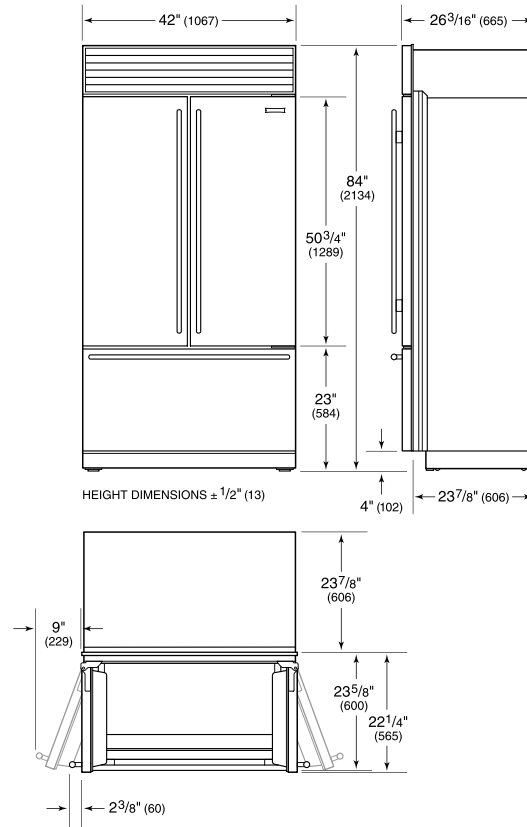
NOTE: Dimensions in parenthesis are in millimeters unless otherwise specified

INTERIOR VIEW

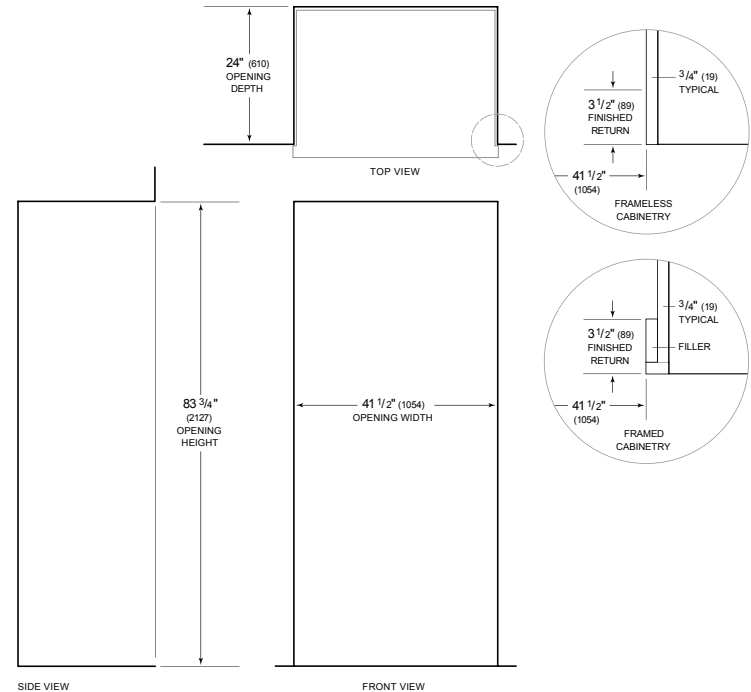


This illustration is intended for interior reference only and may not represent the exterior of the model being specified.

DIMENSIONS



STANDARD INSTALLATION



NOTE: 3 1/2" (89) finished returns will be visible and should be finished to match cabinetry. Shaded line represents profile of unit.

CG365T/S



FEATURES

Maintain control with dual-stacked burners that go from 18,000 Btu down to a mere breath of flame

Simmer and melt sauces, soups, and marinades easily with the lower tier of the dual-stacked burner

Makes an attractive statement even when installed alone

Reignites flame automatically with spark ignition system

Cleanup is a snap as sealed, seamless burner pans contain splashes and spills

Move pots and pans easily across continuous cast-iron grates

ACCESSORIES

2-Burner Wok Grate

36" Professional Grate Set

High altitude conversion kits available

Accessories available through an authorized dealer.
For local dealer information, visit subzero-wolf.com/locator.



COOKTOP SPECIFICATIONS

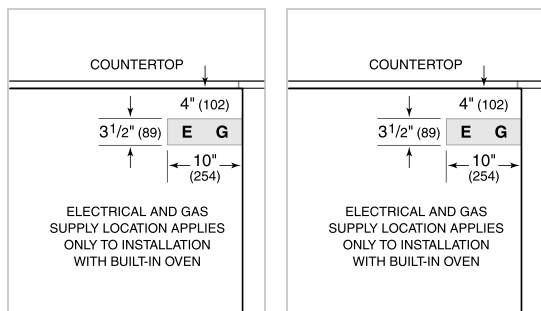
- 3 - 9,200 Btu Burner
- 1 - 12,000 Btu Burner
- 1 - 18,000 Btu Burner

PRODUCT SPECIFICATIONS

Model	CG365T/S
Dimensions	36"W x 4"H x 21"D
Electrical Supply	120 VAC, 60 Hz
Electrical Service	15 amp dedicated circuit
Gas Supply	3/4" ID line
Gas Inlet	1/2" NPT female

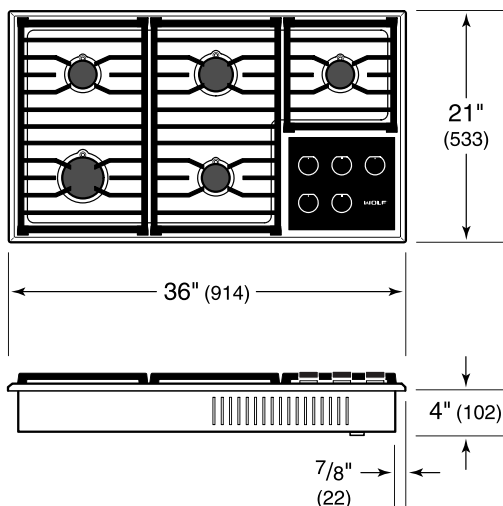
ELECTRICAL

GAS

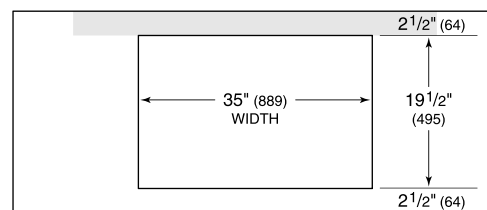


NOTE: Dimensions in parenthesis are in millimeters unless otherwise specified

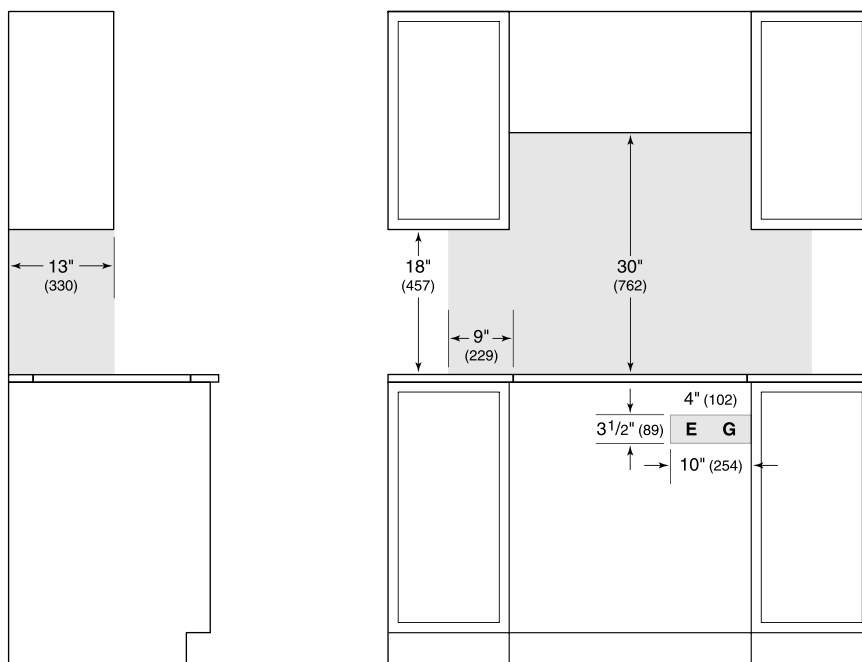
DIMENSIONS



STANDARD INSTALLATION



COUNTERTOP CUT-OUT

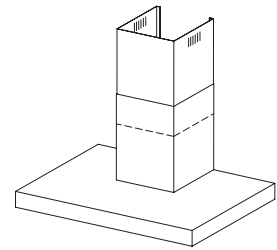


SIDE VIEW

FRONT VIEW

NOTE: Shaded area above countertop indicates minimum clearance to combustible surfaces, combustible materials cannot be located within this area. Electrical and gas supply location only applies to installations with built-in oven.

WBF4I RANGE HOOD



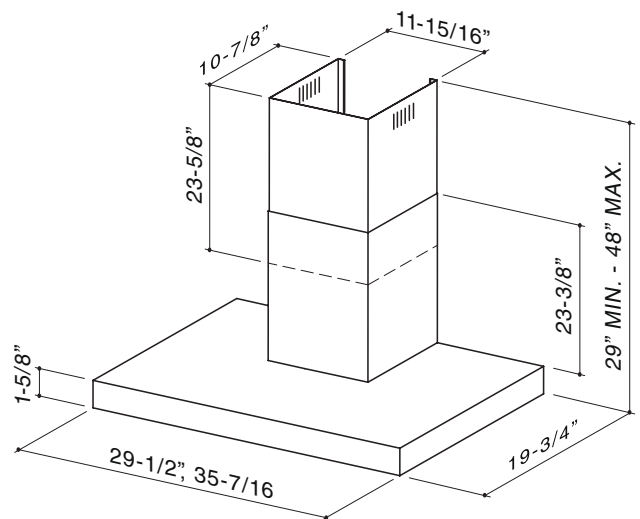
A chimney hood created in true classical Italian design. Streamlined brick shape features electronic pushbutton controls and a lighted LCD screen. The understated elegance of this hood brings a modern touch of Europe to any kitchen.

FEATURES

- Wall mount
- Finish: 430 Stainless Steel #4 Brushed
- Widths: 29-1/2", 35-7/16"
- Depth: 19-3/4"
- Telescopic flue accommodates 7-ft. 8-in. to 9-ft. ceilings
- 6" round duct connector / backdraft damper
- Convertible to non-ducted operation - requires Model ANKWBF4 (sold separately)
- Halogen lighting (2 x 20 watt, 12V, Type JC 12V 20W G4 Base) (bulbs included)
- 4 push-button controls
 - Blower speed
 - Time / Delay Off
 - Light On / Off with LCD display
- Blower Delay Off, 1 to 60 minutes
- Single, 3-speed centrifugal blower
- Dishwasher-safe filter features a quick-release latch
- Cord-connected

OPTIONS

- Replacement grease filters available
- Replacement non-ducted recirculation filters available (Model ROUNDFILTER)



HVI-2100 CERTIFIED RATINGS comply with new testing technologies and procedures prescribed by the Home Ventilating Institute, for off-the-shelf products, as they are available to consumers. Product performance is rated at 0.1 in. static pressure, based on tests conducted in a state-of-the-art test laboratory. Sones are a measure of humanly-perceived loudness, based on laboratory measurements.

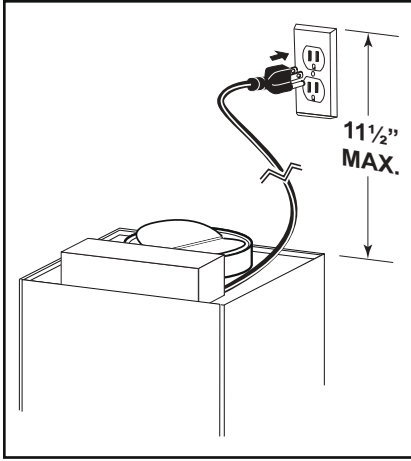
SPECIFICATIONS

MODEL NO.	VOLTS	AMPS	CFM / SONES (High Speed)	CFM / SONES (Low Speed)	DUCT
WBF4I	120	3.3	400 / 8.5	190 / 2.5	6" round

BEST Hartford, Wisconsin www.BestRangeHoods.com 800-558-1711

REFERENCE	QTY.	REMARKS	Project	
			Location	Architect
			Engineer	
			Contractor	
			Submitted by	Date

WBF4I SERIES WIRING



1. GROUNDING INSTRUCTIONS

This appliance must be grounded. In the event of an electrical short circuit, grounding reduces the risk of electric shock by providing an escape wire for the electric current. This appliance is equipped with a cord having a grounding wire with a grounding plug. The plug must be plugged into an outlet that is properly installed and grounded.

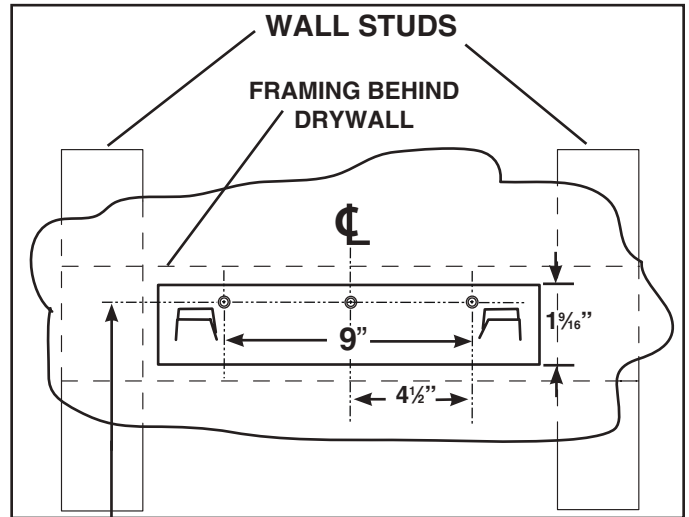
- Position the electrical outlet within the space covered by the decorative flue and where it will not interfere with the round duct. Make sure the outlet is no further than 11½" from where the cord exits from the hood and that the outlet does not interfere with a mounting bracket fastening area or where the decorative flue touches the wall.

WBF4I SERIES MOUNTING

- Construct wood wall framing that is flush with interior surface of wall studs.

Make sure:

- the framing is centered over installation location.
 - the height of the framing will allow the mounting bracket to be secured to the framing within the dimensions shown.
- After wall surface is finished, carefully center and level the hood mounting bracket and secure it to wall framing with (3) #8 x 1-1/2" mounting screws. Tighten the screws completely.



35-7/8" = bottom of hood 24" above cooktop
41-7/8" = bottom of hood 30" above cooktop

CEILING HEIGHT	DUCT METHOD	HOOD DISTANCE ABOVE 36" HIGH COOK TOP (see note a.)						
		24"	25"	26"	27"	28"	29"	30"
MOUNTING BRACKET LOCATION ABOVE 36" COOK TOP								
7-FT. 8-IN. MINIMUM	DUCTED OR NON-DUCTED	35-7/8"	36-7/8"	37-7/8"	38-7/8"			
8 OR 9 FEET	DUCTED OR NON-DUCTED	35-7/8"	36-7/8"	37-7/8"	38-7/8"	39-7/8"	40-7/8"	41-7/8"

Note:

- Minimum hood distance above cook top must not be less than 24".
A maximum of 30" above cook top is highly recommended for best capture of cooking impurities. Distances over 30" are at the installer's and user's discretion; and if ceiling height and flue length permit.



SO3050TE/S/T



FEATURES

Wolf's dual convection system provides reliably even heat, reduces hot and cold spots, and enables consistent multi-rack cooking

Ten cooking modes, including Bake, Broil, Convection, Convection Roast, Dehydrate, Gourmet, Proof, Roast, Stone, and Warm, were developed by Wolf chefs to maximize the performance of your oven

Gourmet Mode offers nearly 50 presets to automatically cook a delicious set of impressive dishes

The large full-color touch screen and stainless touch controls are intuitive and easy-to-read

The temperature probe alerts you when your dish has reached the desired temperature

The oven offers self-clean, delayed start, timed cook, and Sabbath features

The Wi-Fi enabled feature lets you remotely preheat, select modes, and adjust oven temperature from your mobile device

Coordinates with other Sub-Zero, Wolf, and Cove appliances to create a cohesive look in your kitchen

Get the most out of your oven with tips and recipes from the Mastering the E Series Oven guide

ACCESSORIES

30" Broiler Pan

30" Premier Baking Sheet

30" Standard Oven Rack

Bake Stone Kit

Dehydration Kit

Dual Installation Kit

Full-Extension Ball-Bearing Rack

Standard Oven Rack

Temperature Probe

Accessories available through an authorized dealer.

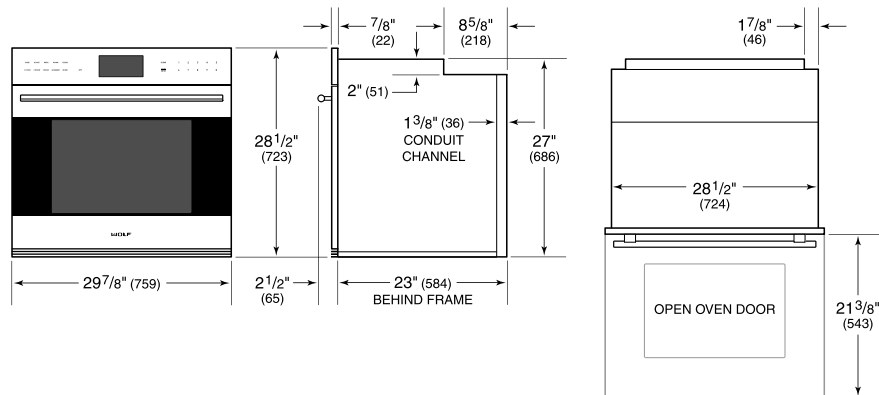
For local dealer information, visit subzero-wolf.com/locator.



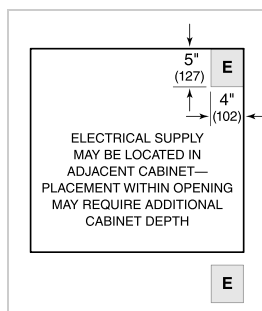
PRODUCT SPECIFICATIONS

Model	SO3050TE/S/T
Dimensions	29 7/8"W x 28 1/2"H x 23"D
Oven 1 Interior Dimensions	25 1/4"W x 17 1/2"H x 18 1/2"D
Overall Capacity	4.7 cu. ft.
Usable Capacity	3.1 cu. ft.
Door Clearance	21 3/8"
Weight	257 lbs
Electrical Supply	240/208 VAC, 60 Hz
Electrical Service	30 amp dedicated circuit
Conduit Length	4 Feet

DIMENSIONS

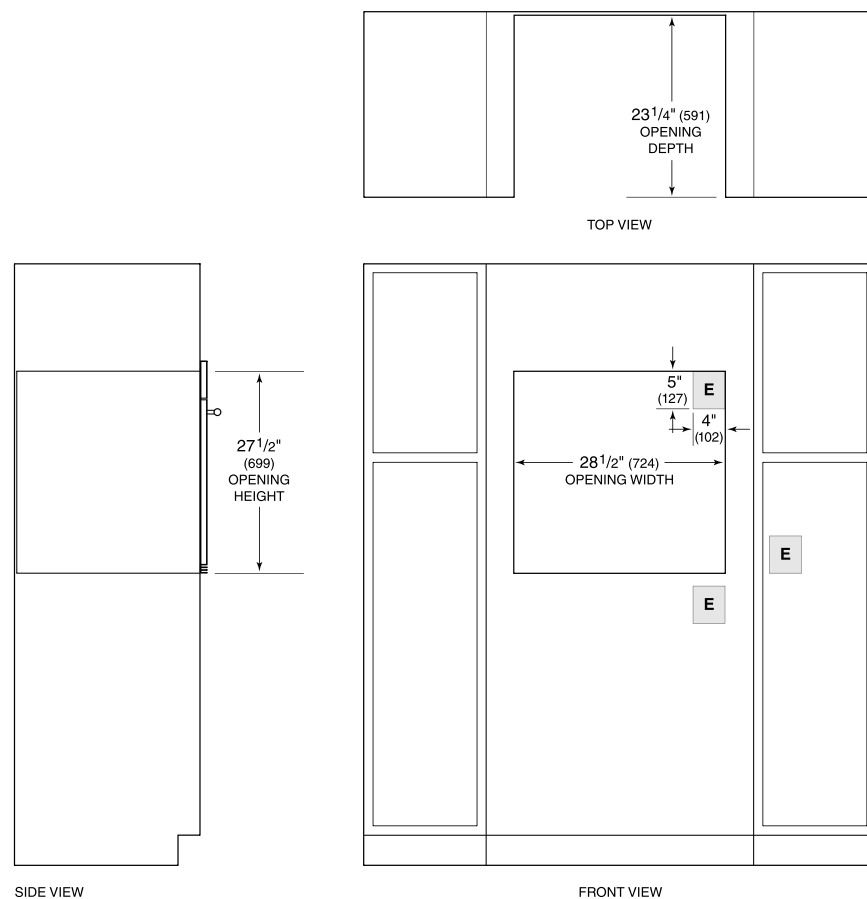


ELECTRICAL



NOTE: Dimensions in parenthesis are in millimeters unless otherwise specified

STANDARD INSTALLATION



NOTE: Location of electrical supply within opening may require additional cabinet depth.

MD30TE/S

FEATURES

Utilize 950 watts of power to cook meals with delicious results

Select from 10 power levels, a warming mode, and sensor cooking

Let the microwave do the cooking with intuitive "gourmet mode" settings

Fits a 9x13 pan and up to a 7" tall glass or dish for additional cooking flexibility

Install into surrounding cabinetry to coordinate with other Wolf built-in ovens and warming drawers

Installs can be lowered due to control panel lock providing extra safety

ACCESSORIES

Flush Inset Vent

Accessories available through an authorized dealer.

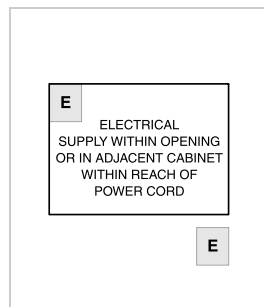
For local dealer information, visit subzero-wolf.com/locator.



PRODUCT SPECIFICATIONS

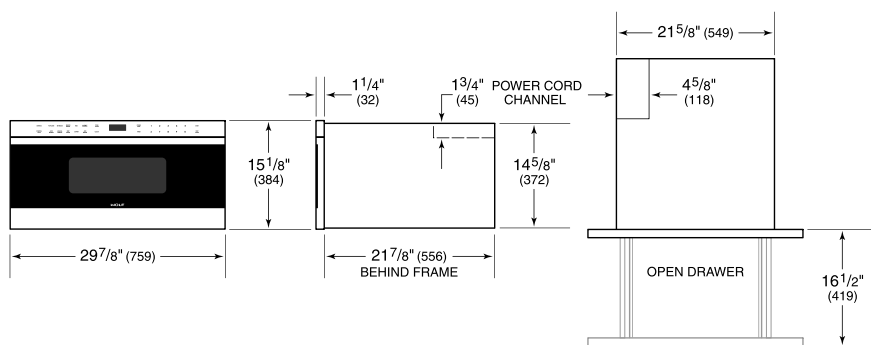
Model	MD30TE/S
Dimensions	29 7/8"W x 15 1/8"H x 21 7/8"D
Capacity	1.2 cu. ft.
Electrical Supply	120 VAC, 60 Hz
Electrical Service	15 amp dedicated circuit
Power Cord Length	4 Feet
Receptacle	3-prong grounding-type

ELECTRICAL

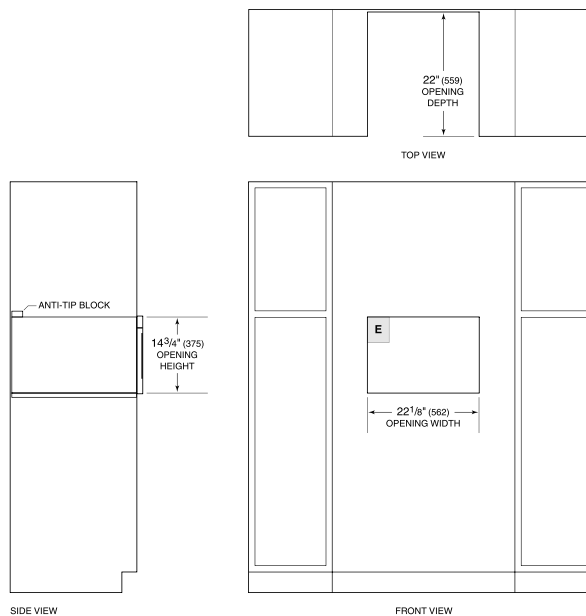


NOTE: Dimensions in parenthesis are in millimeters unless otherwise specified

DIMENSIONS



STANDARD INSTALLATION



30 SERIES DFI663XXL



FEATURES

Accepts custom panel and handle

Premium upper and lower rack

Top tray with Instant Lift™

Heavy-duty stainless steel construction

Nylon-coated steel racks

Condensation drying system

16 place-setting capacity

Quiet operation—44 dB(A)

8Spray™ wash system

Hidden controls

LED display

Delayed start

ACCESSORIES

Stainless steel front panel with tubular or pro handle

Stainless steel tubular or pro handle

Accessories available through an authorized Asko dealer. For local dealer information, visit the where to buy section of our website, askona.com.



PROGRAMS

- Normal Wash
- Eco Wash
- Sanitation Wash
- Time Program
- Plastic Wash
- Hygiene Wash
- Crystal Glass
- Lower Half Wash
- Upper Half Wash
- Self-Cleaning
- Rinse and Hold

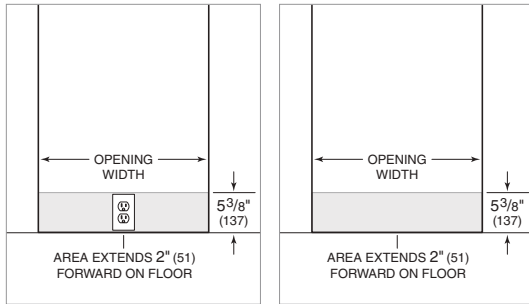
PRODUCT SPECIFICATIONS

Model	DFI663XXL
Width	23 ⁵ / ₈ "
Height	34" – 35 ³ / ₄ "
Depth	22"
Door Clearance	24 ⁵ / ₈ "
Weight	115 lb
Electrical Supply	115 VAC, 60 Hz
Service	15 amp dedicated circuit
Receptacle	3-prong grounding-type
Power Cord	4'
Water Connection	6' PEX tubing with 3/8" NPT female connection
Drain Connection	5' corrugated tubing
Pressure	4.2–140 psi

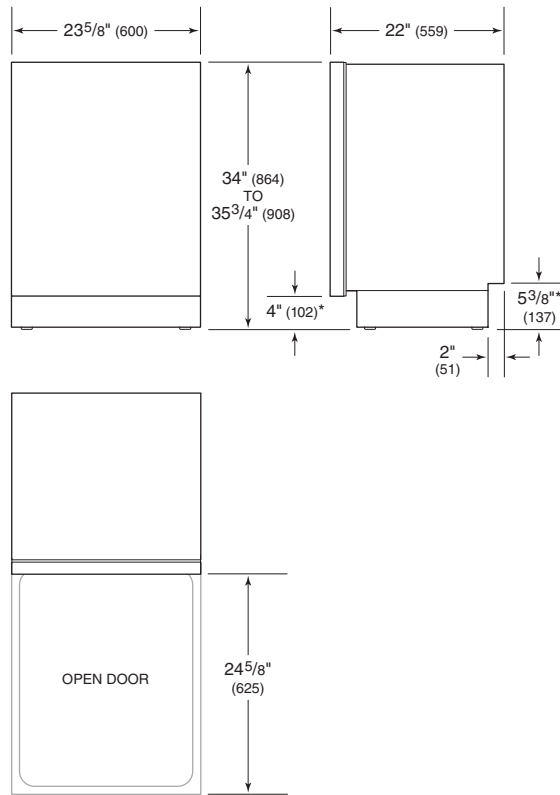
Product dimensions do not include panel and handle.
Dimensions will vary with panel thickness.

Electrical supply, plumbing supply, and drain should be located in an adjacent cabinet. If not, they must be located within the shaded area shown in the illustrations below.

ELECTRICAL | PLUMBING

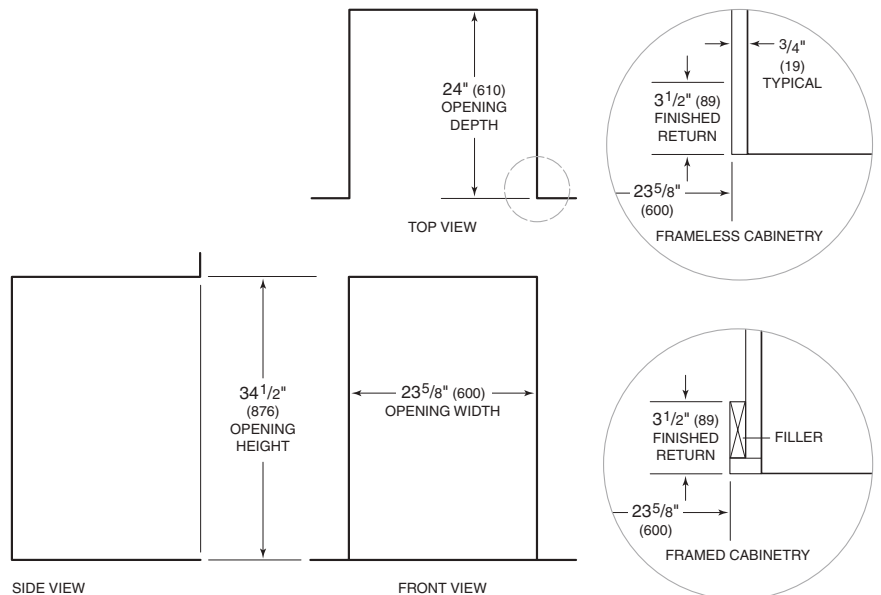


DIMENSIONS



*Dimension will vary with product height.

INSTALLATION



NOTE: 3 1/2" (89) finished returns will be visible and should be finished to match cabinetry.

CVA 6805

Built-in coffee machine
with bean-to-cup system - the Miele all-rounder for the highest demands.



- Perfect results and intense coffee flavor - AromaticSystem
- Fully automatic perfection - OneTouch for Two
- Unique automatic sensing of cup height - CupSensor
- Innovative and convenient milk system - EasyClick milk system
- Convenient cleaning for care and mainten. - Cleaning programs

EAN: 4002515355121 / material number: 09676930

Construction type and design	
Built-in bean-to-cup coffee machine	•
PureLine	•
Color	Clean Touch Steel
Consumer benefits	
AromaticSystem	•
OneTouch preparation	•
One Touch and OneTouch for Two	•
Programmable user profile	11
Grinding grade selectable	•
Additional coffee types in ground coffee form possible	•
Ground quantity programmable	•
Water quantity programmable	•
Water temperature programmable	•
Amount of milk can be programmed	•
Amount of milk froth can be programmed	•
Pre-brewing programmable	•
Beverage specialities	
Espresso, single	•
Espresso, double	•
Coffee, single	•
Coffee, double	•
Long coffee, single	•
Long coffee, double	•
Cappuccino, single	•
Cappuccino, double	•
Latte macchiato, single	•
Latte macchiato, double	•
Hot milk, single	•
Hot milk, double	•
Milk froth, single	•
Milk froth, double	•
Caffè latte, single	•
Caffè latte, double	•
Hot water, single	•
Coffee pot	•

CVA 6805

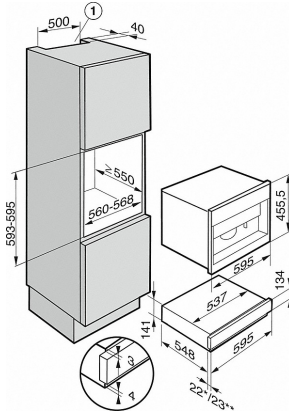
Built-in coffee machine
with bean-to-cup system - the Miele all-rounder for the highest demands.



Control panel	
Control panel	M Touch
CupSensor	•
Height adjustment of infinitely adjustable central spout in in.(cm)	3 3/8 (8)
ComfortDoor	•
Hidden door handle	•
MultiLingua	•
Bean container capacity, total in oz (g)	17.64 (500)
Capacity of water container in fl oz (l)	77.77 (2.3)
Capacity of waste container in capsules	15
Easily accessible containers	•
Time-of-day display	•
Date display	•
Programmable switch-on time	•
Programmable switch-off time	•
Programmable stand-by time	•
Clock battery backup in h	150
Efficiency and sustainability	
Energy-saving Eco mode option	•
Cleaning convenience	
Stainless steel front with Clean Touch Steel surface	•
Automatic rinsing of the milk pipework from the water container	•
Convenient cleaning programs	•
Auto-Off function	•
ComfortClean	•
Removable milk pipework	•
Removable brew unit	•
Adjustable water hardness	•
Safety	
System lock	•
Technical data	
Appliance width in in.(mm)	23 1/2 (595)
Appliance height in in.(mm)	17 7/8 (452)
Appliance depth in in.(mm)	19 5/8 (496)
Depth with door open in in.(cm)	41 3/4 (106.0)
Total connected load in kW	1.5
Voltage in V	120
Fuse rating in A	15
Number of phases	1
Length of electrical wire in ft (m)	5 (1.8)
Standard accessories	
Glass milk container	•
Descaling tablets	•
Cleaning tablets	•
Milk pipework cleaner	•
Coffee spoon for ground coffee	•
Test strips to test water hardness	•

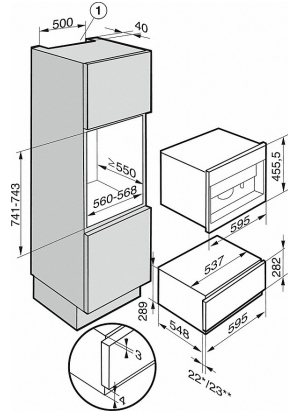
CVA 6805

Built-in coffee machine
with bean-to-cup system - the Miele all-rounder for the highest demands.



ESW 6114, ESW 6214 (Installation drawing)

* appliances with glass front
** Appliances with metal front



ESW 6129, ESW 6229 (Installation drawing)

* appliances with glass front
** Appliances with metal front

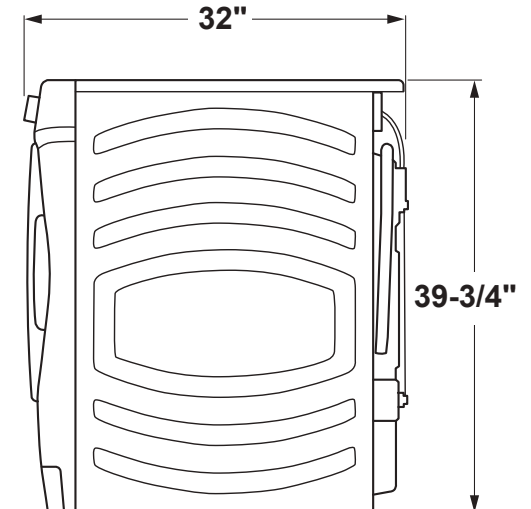
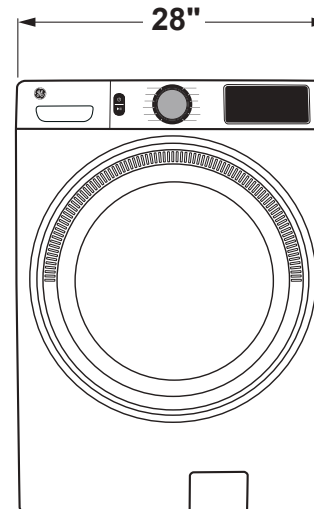
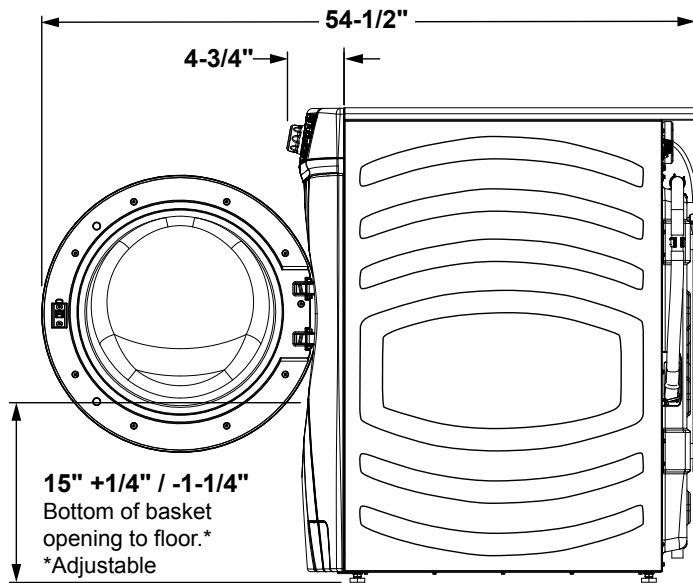
GE® 4.5 cu. ft. Capacity Front Load ENERGY STAR® Washer with UltraFresh Vent System with OdorBlock™

GE® 4.5 cu. ft. Capacity Front Load ENERGY STAR® Washer with UltraFresh Vent System with OdorBlock™

DIMENSIONS AND INSTALLATION INFORMATION (IN INCHES)

ELECTRIC RATING	
120V	11.0A, 60Hz

INSTALLATION INFORMATION: For complete information, see installation instructions packed with your washer.



*With leveling leg adjust.



For answers to your Monogram, GE Café™ Series, GE Profile™ Series or GE Appliances product questions, visit our website at geappliances.com or call GE Answer Center® Service, 800.626.2000.



Specification Revised 11/19

GFW510SCN

GE® 4.5 cu. ft. Capacity Front Load ENERGY STAR® Washer with UltraFresh Vent System with OdorBlock™

SPECIAL INSTALLATION REQUIREMENTS:

STACKED INSTALLATION:

-Brackets for stacking dryer over washer are not included with the washer. Order part no. GFA28KITN.

ALCOVE OR CLOSET INSTALLATION:

-If your dryer is approved for installation in an alcove or closet, it will be stated on a label on the dryer back.

-The dryer MUST be exhausted to the outside.

-Minimum clearances between dryer cabinet and adjacent walls or other surfaces are: 0" all sides and top.*

-Closet doors must be louvered or otherwise ventilated and must contain a minimum of 60 sq. in. of open area equally distributed. If this closet contains both a washer and a dryer, doors must contain a minimum of 120 sq. in. of open area equally distributed.

-No other fuel-burning appliance shall be installed in the same closet with a gas dryer.

BATHROOM OR BEDROOM INSTALLATION:

-The dryer MUST be exhausted to the outdoors.

-The installation must conform with the local codes, or in the absence of local codes, with the National Electric Code and National Fuel Gas Code, ANSI Z223.

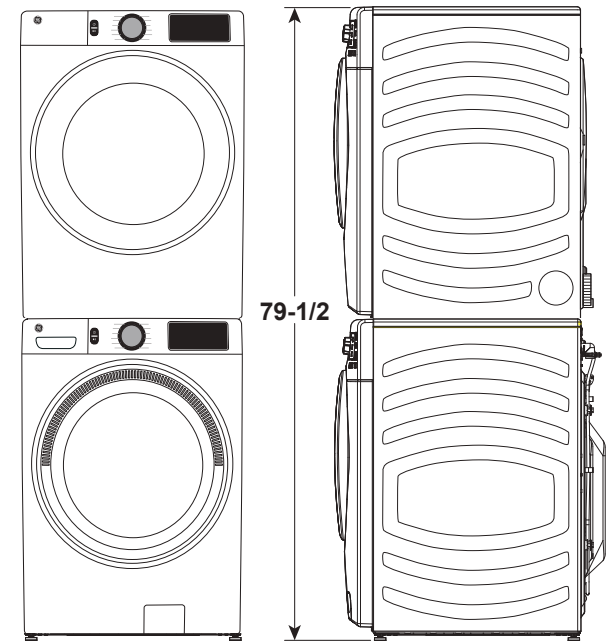
MINIMUM CLEARANCE OTHER THAN ALCOVE OR CLOSET INSTALLATIONS:

-Minimum clearances to combustible surfaces 0" all sides and top.*

FOR MORE INFORMATION ON VENTING KITS AND ACCESSORIES, PLEASE CALL 1-800-GE-CARES.

*For improved performance, a 1/2" clearance is suggested on each side.

STACKED DIMENSIONS (IN INCHES)



PEDESTAL DIMENSIONS (IN INCHES)

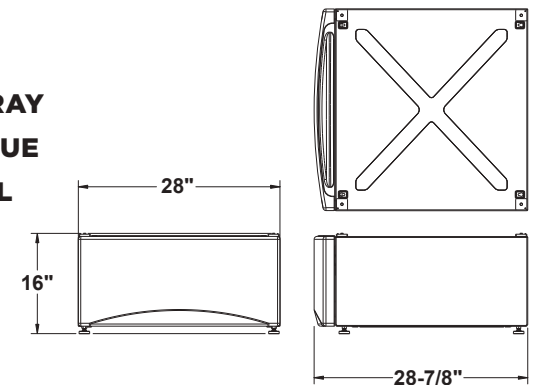
GFP1528PNDG - DIAMOND GRAY

GFP1528PNRS - SAPPHIRE BLUE

GFP1528PNSN - SATIN NICKEL

GFP1528SNWW - WHITE

This optional 16" pedestal raises the door opening and height of the washer or dryer.



For answers to your Monogram, GE Café™ Series, GE Profile™ Series or GE Appliances product questions, visit our website at geappliances.com or call GE Answer Center® Service, 800.626.2000.

Specification Revised 11/19

GE® 4.5 cu. ft. Capacity Front Load ENERGY STAR® Washer with UltraFresh Vent System with OdorBlock™

GE® 4.5 cu. ft. Capacity Front Load ENERGY STAR® Washer with UltraFresh Vent System with OdorBlock™

FEATURES AND BENEFITS

UltraFresh Vent System With OdorBlock™ – The first and only UltraFresh Vent System with OdorBlock™ eliminates excess moisture to help prevent odors ensuring your washer stays fresh and clean.

Microban® antimicrobial technology – Built into components including the gasket, dispenser and draining system delivers protection that lives on load after load.

Built-in WiFi – Start, stop and monitor your laundry from anywhere while receiving real-time notifications and updates.

Dynamic Balancing Technology (dBT™) – Our patented, time saving technology senses and re-balances uneven loads during the spin cycle, providing a quiet wash.

Reversible door – Easily reverse your washer and dryer door for superior installation flexibility.

32-In Depth – Fits into more homes, with no additional installation space required.

Quick Wash Cycle – Provides a fast 20 minute wash for lightly soiled items.

10-year Limited Warranty – Rest assured knowing your washer is backed by a 10-year warranty.

Sanitize with Oxi – Remove 99% of bacteria with a dedicated cycle that uses an Oxi additive to boost your detergent's cleaning power, while keeping fabrics looking and feeling their best.

Model GFW510SCNWW – White



For answers to your Monogram, GE Café™ Series, GE Profile™ Series or GE Appliances product questions, visit our website at geappliances.com or call GE Answer Center® Service, 800.626.2000.



GFD55ESSN/ESPN

GE® 7.8 cu. ft. Capacity Front Load Electric Dryer

DIMENSIONS AND INSTALLATION INFORMATION (IN INCHES)

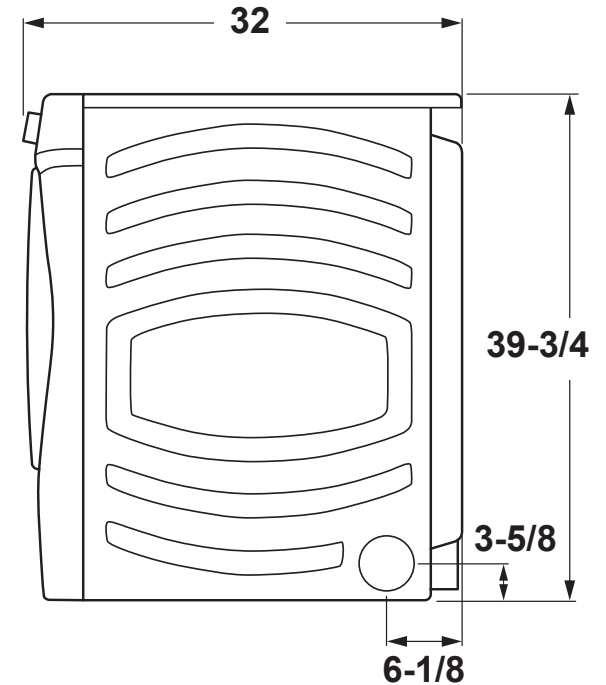
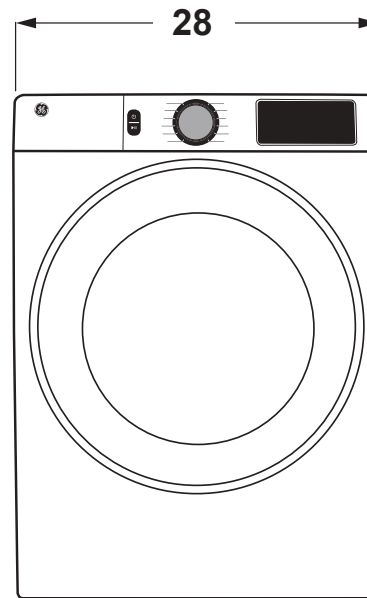
ELECTRIC DRYER RATING	
120V/240V	5600W, 25A, 60Hz
120V/208V	4300W, 23A, 60Hz

EXHAUST OPTIONS: 4-way via rear, right, left and bottom.

CIRCUIT REQUIREMENTS: An individual, properly grounded branch circuit, protected by a 30-amp circuit breaker or a time-delay fuse, is required.

NOTE: Dryer wall outlet must be located within 36" of service cord entry and accessible when dryer is mounted in position.

INSTALLATION INFORMATION: For complete information, see installation instructions packed with your dryer.



For answers to your Monogram, GE Café™ Series, GE Profile™ Series or GE Appliances product questions, visit our website at geappliances.com or call GE Answer Center® Service, 800.626.2000.



Specification Revised 11/19

GFD55ESSN/ESPN

GE® 7.8 cu. ft. Capacity Front Load Electric Dryer

SPECIAL INSTALLATION REQUIREMENTS:

STACKED INSTALLATION:

Brackets for stacking dryer over washer are not included with the dryer. Order part no. GFA28KITN.

ALCOVE OR CLOSET INSTALLATION:

If your dryer is approved for installation in an alcove or closet, it will be label on the dryer back.

The dryer **MUST** be exhausted to the outside.

Minimum clearances between dryer cabinet and adjacent walls or other surfaces are: 0" all sides and top.*

Closet doors must be louvered or otherwise ventilated and must contain a minimum of 60 sq. in. of open area equally distributed. If this closet contains both a washer and a dryer, doors must contain a minimum of 120 sq. in. of open area equally distributed.

No other fuel-burning appliance shall be installed in the same closet with a gas dryer.

BATHROOM OR BEDROOM INSTALLATION:

The dryer **MUST** be exhausted to the outdoors.

The installation must conform with the local codes, or in the absence of local codes, with the National Electric Code and National Fuel Gas Code, ANSI Z223 for gas dryers.

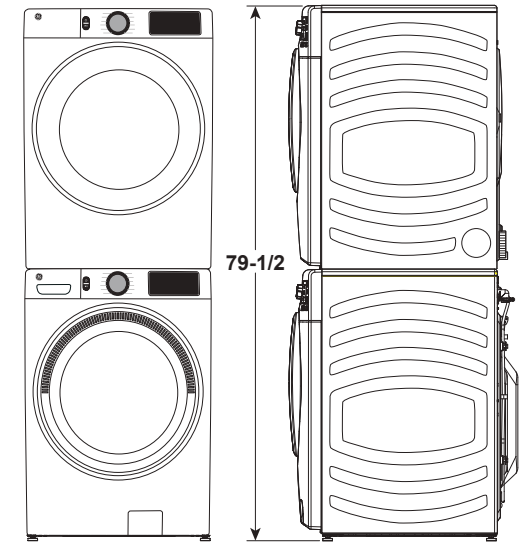
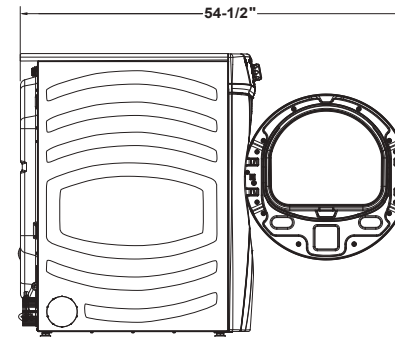
MINIMUM CLEARANCE OTHER THAN ALCOVE OR CLOSET INSTALLATIONS:

Minimum clearances to combustible surfaces 0" all sides and top.*

FOR MORE INFORMATION ON VENTING KITS AND ACCESSORIES, PLEASE CALL 1-800-GE-CARES.

*For improved performance, a 1/2" clearance is suggested on each side.

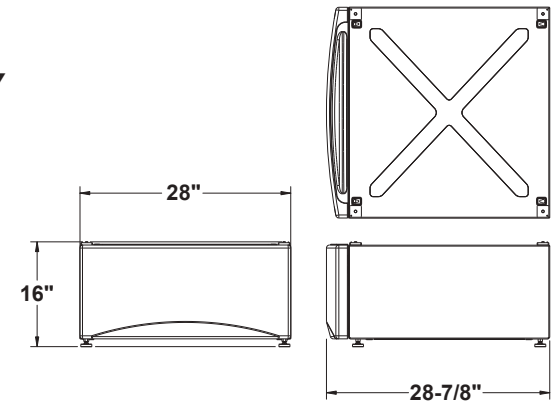
STACKED DIMENSIONS (IN INCHES)



PEDESTAL DIMENSIONS (IN INCHES)

GFP1528PNDG - DIAMOND GRAY
GFP1528PNRS - SAPPHIRE BLUE
GFP1528PNSN - SATIN NICKEL
GFP1528SNWW - WHITE

This optional 16" pedestal raises the door opening and height of the washer or dryer.



For answers to your Monogram, GE Café™ Series, GE Profile™ Series or GE Appliances product questions, visit our website at geappliances.com or call GE Answer Center® Service, 800.626.2000.



Specification Revised 11/19

GFD55ESSN/ESPN

GE® 7.8 cu. ft. Capacity Front Load Electric Dryer

DRYER EXHAUSTING INFORMATION -METAL DUCT ONLY

For complete information, see installation instructions packed with your dryer.

DUCTING MATERIALS: For best performance, this dryer should be vented with 4" diameter all rigid metal exhaust duct. If rigid metal duct cannot be used, then UL-listed flexible metal (semi-rigid) ducting can be used (Kit WX08X10077). In special installations, it may be necessary to connect the dryer to the house vent using a flexible metal (foil-type) duct. A UL-listed flexible metal (foil-type) duct may be used **ONLY** in installations where rigid metal or flexible metal (semi-rigid) ducting cannot be used **AND** where a 4" diameter can be maintained throughout the entire length of the transition duct. Please see installation instruction packed with your dryer for complete instructions when using flexible metal (foil type) ducting.

EXHAUST LENGTH CALCULATION:

1. Determine the number of 90° turns needed for your installation. If you exhaust to the side or bottom of dryer, add one turn.
2. The maximum length of 4" rigid (aluminum or galvanized) duct which can be tolerated is shown in the table.

A turn of 45° or less may be ignored. Two 45° turns within the duct length should be treated as a 90° elbow.

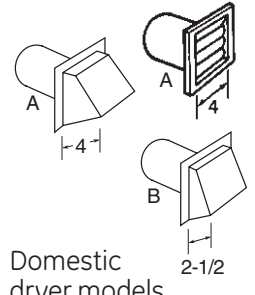
A turn over 45° should be treated as a 90° elbow.

Dryers must be exhausted to the outside.

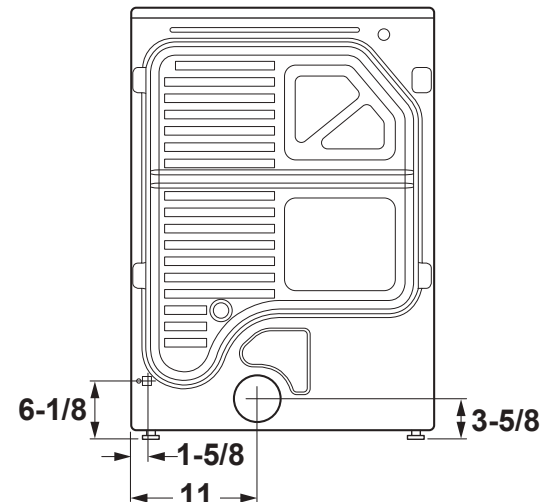
CAUTION: For personal safety do not terminate exhaust into a chimney, under any enclosed house floor (crawl space), or into an attic, since the accumulated lint could create a fire hazard or moisture could cause damage. Never terminate the exhaust into a common duct or plenum with a kitchen exhaust, since the combination of lint and grease could create a fire hazard.

Exhaust ducts should be terminated in a dampered wall cap to prevent back drafts, bird nesting, etc. The wall cap must also be located at least 12" above the ground or any other obstruction with the opening pointed down.

FOR MORE INFORMATION ON VENTING KITS AND ACCESSORIES, PLEASE CALL 1-800-GE-CARES.



		Best performance	
		Maximum length of 4" dia. rigid metal duct	
		Exhaust hood type	
Domestic dryer models	Number of 90° turns	A 4" opening	B 2-1/2" opening
		0	90 ft.
1	60 ft.	45 ft.	
2	45 ft.	35 ft.	
3	35 ft.	25 ft.	
4	25 ft.	15 ft.	



For answers to your Monogram, GE Café™ Series, GE Profile™ Series or GE Appliances product questions, visit our website at geappliances.com or call GE Answer Center® Service, 800.626.2000.



Specification Revised 11/19

GFD55ESSN/ESPN

GE® 7.8 cu. ft. Capacity Front Load Electric Dryer

FEATURES AND BENEFITS

Built-in WiFi – Start, stop and monitor your laundry from anywhere while receiving real-time notifications and updates.

Quick Dry – Quickly dries items and small loads for families on the go.

Sanitize Cycle – Sterilize clothing with elevated temperatures designed to kill common household bacteria.

Wrinkle Care – Prevents wrinkles by extending the tumble without heat.

HE Sensor Dry – Prevent over-drying and protect your clothing thanks to innovative dual thermistor technology, that continually monitors temperature and moisture.

Damp Alert – Signals when delicate clothes reach the ideal dampness level for ironing or final air drying.

Vent Sensor – Provides alerts when a restriction is detected in your dryer vent.

4 Way Venting – Easy-to-change venting options provide the ultimate installation flexibility to fit in your home.

Reversible door – Easily reverse your washer and dryer door for superior installation flexibility.

Model GFD55ESSNWW – White

Model GFD55ESPNDG – Diamond Gray



For answers to your Monogram, GE Café™ Series, GE Profile™ Series or GE Appliances product questions, visit our website at geappliances.com or call GE Answer Center® Service, 800.626.2000.

